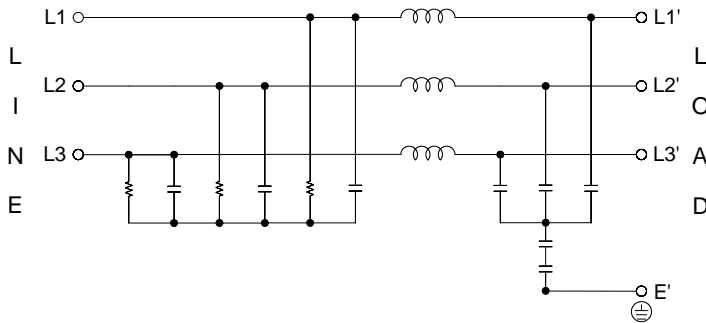


### Technical data and measuring conditions

- Rated current: 7~30A@50°C
- Max. continuous operating voltage: 3x600 / 347VAC
- Operating frequency: dc to 60Hz
- Operating temp. : -25°~ + 100° (25/100/21)
- Hi-pot. test voltage (for 2 sec.):  
P to E: 2000 VAC  
P to P: 2250 VDC
- Protection category: IP00
- Flammability corresponding to: UL 94V-2 or better
- MTBF@50°C/400V(Mill-HB-217F): >200,000 hours
- Design corresponding to: UL1283, UL60939, CSA 22.2 No.8-13, IEC/EN60939
- Overload capability: 4 x rated current at switch on; 1.5 x rated current for 1 min., once per hour



### Electrical schematic



### Marketing applications

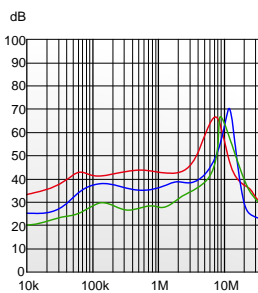
- Electric motor driven systems
- Frequency inverters
- Power management system
- Servo motor
- High power office equipment

### Features

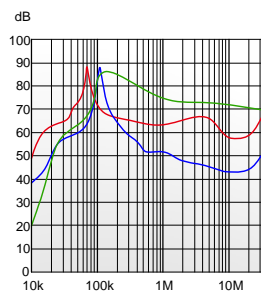
- Provide excellent attenuation of common-mode noise
- Current rating 7~30A
- Leakage current values 2.5mA~5mA (Max.)
- Light weight plastic housing design
- Integrated nut is in hinged cover for quick, reliable ring lug wiring
- Single stage circuit is ideal for general applications

### Filter attenuation Insertion loss (dB) in 50Ω system CISPR 17

Common mode / Asymmetrical (P-E)



Differential mode / Symmetrical (P-P)



- 10A ————
- 20A ————
- 30A ————

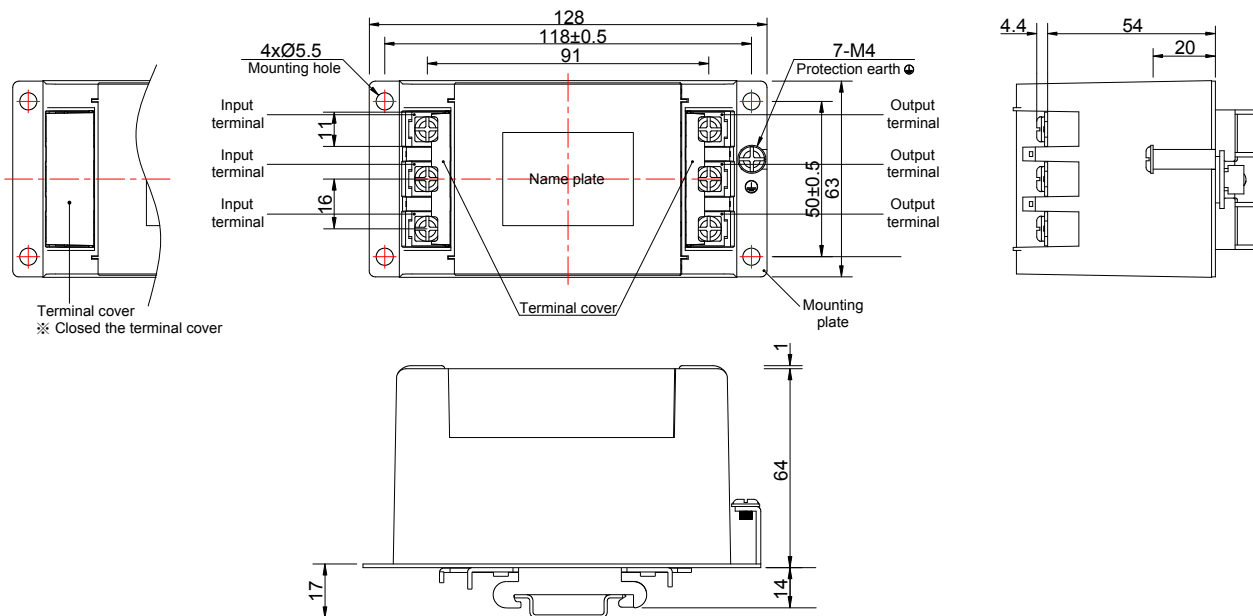
### Filter selection table

No.	CTAC series Filter PRJ No.	07CTAC	08CTAC	10CTAC	16CTAC	20CTAC	25CTAC	30CTAC	
	CTAH series Filter PRJ No.	07CTAH	08CTAH	10CTAH	16CTAH	20CTAH	25CTAH	30CTAH	
1	Rated voltage	AC Three phase 500V, 50/60Hz							
2	Rated current	7A	8A	10A	16A	20A	25A	30A	
3	Test voltage (Terminal-mounting plate)	2,000 VAC (Cutoff current: 100mA), 1 min. at room temperature and humidity							
4	Isolation resistance (Terminal-mounting plate)	500VDC 100MΩ min. at room temperature and humidity							
5	Leakage current	5mA @500V / 60Hz (max.)							
6	Cy cap. value ●	68nF							
7	Voltage drop	1.5V max.			1.0V max.				
8	Best frequency bands	CTAC series: 150kHz ~ 1MHz; CTAH series: 10kHz ~ 1MHz							
9	Safety approval temp.	-25° ~ +100°							
10	Operating temperature	-40° ~ +100°							
11	Operating humidity	20 ~ 95%RH (Non condensing)							
12	Storage temp./ humidity	-40° ~ +100°; 20 ~ 95%RH (Non condensing)							
13	Vibration	10 ~ 55Hz, 19.6m/s <sup>2</sup> (2G), 3 min. period, 1 hour each X,Y,Z axis							
14	Impact	196.1m/s <sup>2</sup> (20G), 11ms, once along X,Y,Z axis							
15	Safety approvals	UL1283, CSA C22.2 No.8 (C-UL), VDE0565 Teil3-1, IEC/EN60939							

● call for alternatives.

### Mechanical drawing

■ DIN-rail mounting



#### Note when installing the EMI filter on a DIN rail:

When the EMI filter is grounded through the DIN rail, the proper noise attenuation may not be achieved.

Be sure to connect the protection earth (PE) of the EMI filter body to the earth.

