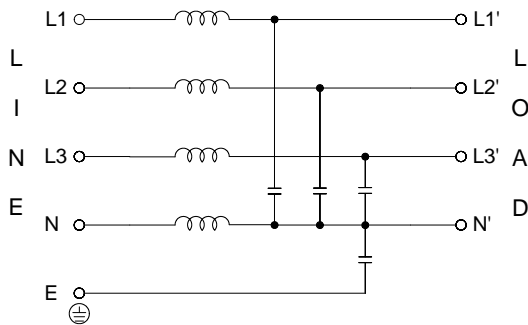


Technical data and measuring conditions

- Rated current: 3~20A@50°C
- Max. continuous operating voltage: 3x600 / 347VAC
- Operating frequency: dc to 60Hz
- Operating temp.: -25°~ + 100° (25/100/21)
- Hi-pot. test voltage (for 2 sec.):
 - P/N - E: 2000 VAC
 - P to P: 1350 VDC
 - P to N: 800 VDC
- Protection category: IP20
- Flammability corresponding to: UL 94V-2 or better
- MTBF@50°C/400V(Mill-HB-217F): 850,000 hours
- Design corresponding to: UL1283, UL60939, CSA 22.2 No.8-13, IEC/EN60939
- Overload capability: 4 x rated current at switch on; 1.5 x rated current for 1 min., once per hour



Electrical schematic



Marketing applications

- Three-phase four-wire networks
- Control units
- Pumps
- HVAC system
- Security system

Features

- Extremely compact and space-saving
- Current rating 3~20A
- Low leakage current values
- Metal chassis mounted
- With fast-on quick connection
- Cost-effective solution

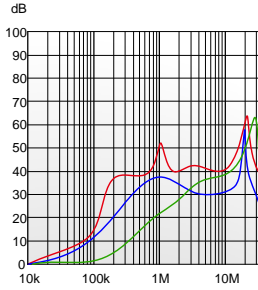
Filter selection table

Filter PRJ No.	Rated Current @50°C [A]	Leakage Current* @600VAC/50Hz [mA]	Power Loss @25°C/50Hz [W]
03SC55	3	0.05	1.4
06SC55	6	0.05	1.5
10SC55	10	0.05	1.8
20SC55	20	0.1	3.4

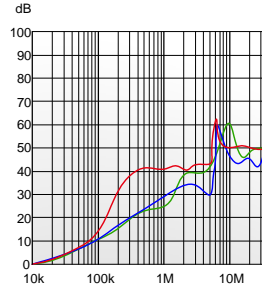
*Standardized calculated leakage current acc. IEC60939 under normal operating conditions.

Filter attenuation Insertion loss (dB) in 50Ω system CISPR 17

Common mode / Asymmetrical (P-E)



Differential mode / Symmetrical (P-P)



3A ————
6A ————
10~20A ————

Mechanical drawing

