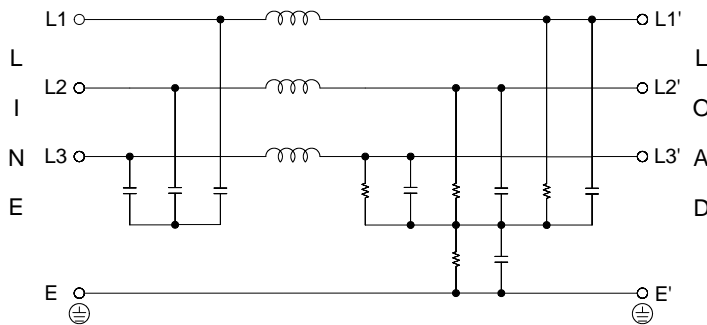


Technical data and measuring conditions

- Rated current: 35~300A@50°C
- Max. continuous operating voltage: 3x600 / 347VAC
- Operating frequency: dc to 60Hz
- Operating temp. : -25°~ + 100° (25/100/21)
- Hi-pot. test voltage (for 2 sec.):
P to E: 2750 VDC
P to P: 2250 VDC
- Protection category: IP20
- Flammability corresponding to: UL 94V-2 or better
- MTBF@50°C/400V(Mill-HB-217F): >400,000 hours
- Design corresponding to: UL1283, UL60939, CSA 22.2 No.8-13, IEC/EN60939
- Overload capability: 4 x rated current at switch on; 1.5 x rated current for 1 min., once per hour



Electrical schematic



Marketing applications

- Regenerative motor drivers
- Elevators, Cranes
- UPS
- Automation equipment
- Traction control system

Features

- Excellent conducted attenuation performance
- Current rating 35~300A
- Noise attenuation range from 10kHz~30MHz
- Thin and lightweight, metal chassis construction
- Alternative performance grade
- Touch-safe connections with hinged safety covers for quick, reliable ring lug wiring

Filter selection table

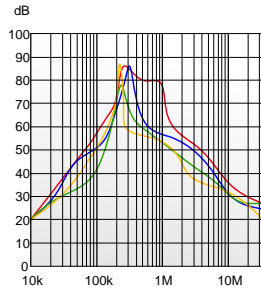
Filter PRJ No.	Rated Current @50°C [A]	Typical Drive* Power Rating [kW]	Leakage Current** @600VAC/50Hz [mA]	Power Loss @25°C/50Hz [W]
35SCA00	35	22	6.8	11.8
50SCA00	50	30	9.3	18
80SCA00	80	45	10	25.9
110SCA00	110	55	10	32.7
150SCA00	150	75	10	50.6
200SCA00	200	110	10	67.2
230SCA00	230	132	10	36.5
300SCA00	300	160	10	54

*Calculated at rated current, 600 VAC and cos phi = 0.8. The exact value depends upon the efficiency of the drive, the motor and the entire application.

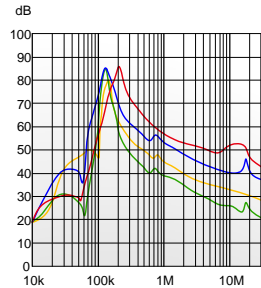
**Standardized calculated leakage current acc. IEC60939 under normal operating conditions.

Filter attenuation Insertion loss (dB) in 50Ω system CISPR 17

Common mode / Asymmetrical (P-E)

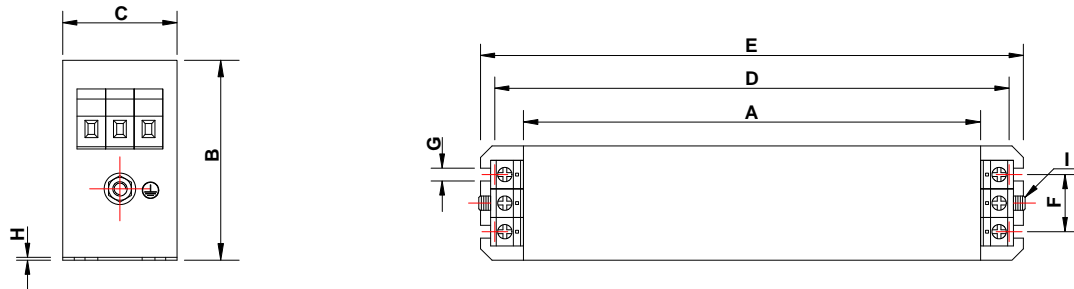


Differential mode / Symmetrical (P-P)



35A~80A ————
 110A~150A ————
 200A ————
 230A~300A ————

Mechanical drawing



Dimensions (unit: mm) Tolerances according to ISO 2768-m / EN 22768-m

Code	35A	50A	80A	110A	150A	200A	230A	300A
A	305	300	350	350	400	400	400	400
B	150	185	220	220	240	240	240	200
C	60	80	90	90	110	110	110	200
D	320	314	364	364	413	413	413	420
E	190	250	270	310	250	270	270	270
F	35	55	65	65	80	80	80	160
G	6.5	6.5	6.5	6.5	6.5	6.5	6.5	8
H	1	1.5	1.5	1.5	4	4	4	1.5
I	M6	M6	M10	M10	M10	M10	M10	M12

Input / Output connectors cross sections

Input / Output connectors	35A	50A	80~150A	200~230A	300A
Solid wire	16mm ²	35mm ²	50mm ²	95mm ²	-
Flex wire	10mm ²	25mm ²	50mm ²	95mm ²	150mm ²
AWG type wire	AWG 6	AWG 2	AWG 1/0	AWG 4/0	AWG 6/0
Recom. torque	1~1.2Nm	1.8~2Nm	2.3~2.5Nm	17~20Nm	27~30Nm